



KNIFE GATE VALVES

SS METAL SEATED KNIFE GATE VALVE

Series KMS (Stainless Steel)



FEATURES

The figure 0KMS333 is a stainless steel body and yoke design. The 0KMS333 is designed to handle dense mixtures of stock and slurries with unidirectional shut-off. The shearing action of the knife gate cuts through solids and cleans the seat as it closes.

- Thrust ball bearing yoke bushing for reduced handwheel torque on 14" and larger valves.
- Bonnetless, outside screw and yoke, rising stem
- Available in sizes from 3" to 30" diameter
- Meets TAPPI standard TIS 405-8 for stainless steel bonnetless, flanged, wafer knife gate valves
- Meets MSS SP-81 specification for 150 PSI CWP
- Smooth flow, non-clogging step seat design

TFV USA Operations LLC offers many options and modifications for valves. These include, but are not limited to:

- Actuation including ratchets, chain wheels, square drive nuts, gear-operators, pneumatic & hydraulic cylinders, and electric actuators
- Packing options for pH and temperature requirements
- Back seat stops for low differential pressure applications or to prevent knife blade deflection.
- V-ports for reduced plugging in metering applications
- Stem extension and non-rising stem (NRS) adapters in carbon and stainless steel
- Deflection cones in Ni-Hard and HDPE for added seat and gate protection in abrasive services
- Flush ports to clear suspended matter from the valve chest or seat pocket area

All valves are manufactured to the following dimensional and test standards.

- Face to Face Per - MSS SP-81/TIS 405-8 (30" to mfg standard)
- End Flanges Per - ANSI B16.5
- Test Procedure Per - MSS SP-81
- Seat/Shell Test Per - API 598
- Material Rating Per - ASME B16.34

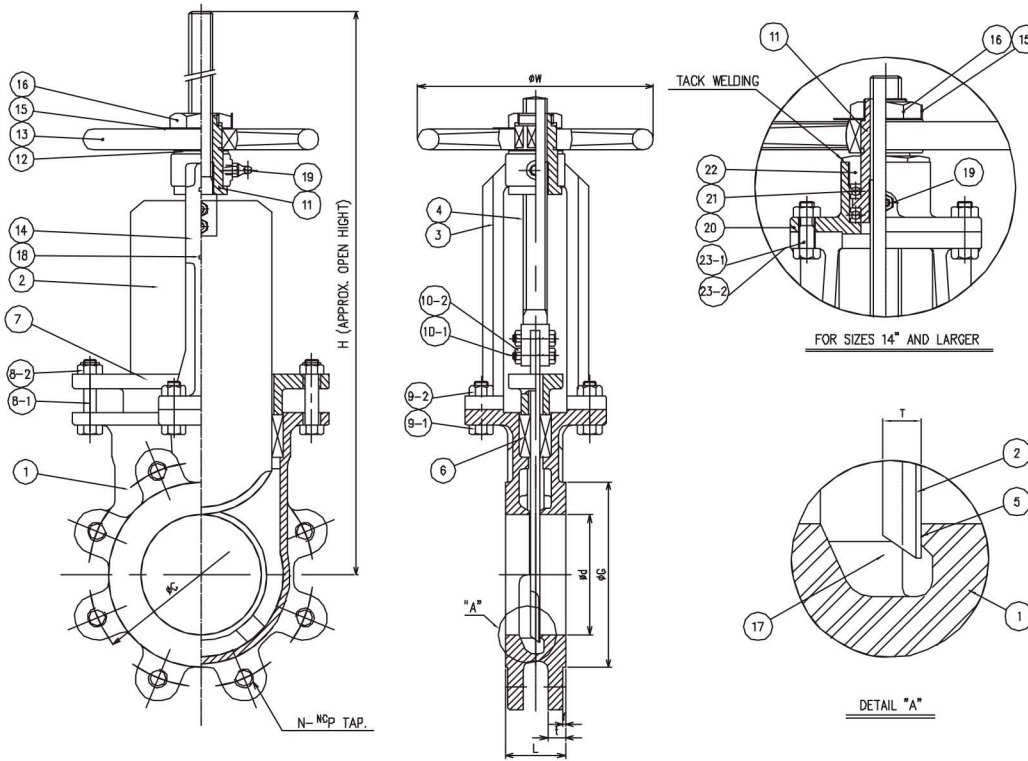


KNIFE GATE VALVES

SS METAL SEATED KNIFE GATE VALVE

MATERIAL LIST

No.	PART NAME	MATERIAL
1	Body	A351 CF8M
2	Disc	A240 316SS
3	Yoke	A351 CF8
4	Stem	A276 304
5	Body Seat	A351 CF8M
6	Packing	PTFE Impregnated Fiber
7	Packing Gland	A351 CF8
8-1	Gland Bolt	A193 B8
8-2	Gland Nut	A194 8
9-1	Yoke Bolt	A193 B8
9-2	Yoke Nut	A194 8
10-1	Clevis Bolt	A193 B8
10-2	Clevis Nut	A194 8
11	Yoke Sleeve	BRASS
12	Thrust Washer	BRASS
13	Hand Wheel	A197
14	Name Plate	ALUMINUM
15	Lock Washer	A240 304
16	Wheel Nut	BRASS, STEEL
17	Bottom Wedge	A351 CF8M
18	Rivet	ALUMINUM
19	Grease Nipple	ASS'Y
20	Bearing Housing	A351 CF8
21	Thrust Ball Bearing	ASS Y
22	Bearing Gland	A351 CF8
23-1	Bearing Housing Bolt	A193 B8
23-2	Bearing Housing Nut	A194 8



PACKING OPTIONS

Packing Temperature Limits

Type	Limit
PTFE Impregnated Fiber (Standard)	425°F
Pure TF	425°F
TFE Fiber (Ultra)	500°F
Graphite Filament Yarn	1000°F

FLOW COEFFICIENTS, PORT AREAS, AND WEIGHTS

Size	C _v	Port Area (In ²)	Weight (Lbs)	Size	C _v	Port Area (In ²)	Weight (Lbs)
3	290	6.65	24	14	5,960	137.4	243
4	550	12.69	33	16	7,830	180.41	353
6	1,220	28.07	58	18	10,130	233.32	386
8	2,070	47.76	89	20	12,580	289.68	541
10	3,250	74.78	126	24	18,380	423.61	680
12	4,880	112.48	217	30	29,150	671.62	1250

DIMENSION (INCHES)

SIZE	L	Ød	ØG	ØC	N-NCP	t	f	T	ØW	H
3	2.00	2.91	5.00	6.00	4- 5/8	0.59	0.08	0.236	7.09	17.32
4	2.00	4.02	6.18	7.50	8- 5/8	0.59	0.08	0.276	9.84	20.51
6	2.25	5.98	8.50	9.50	8- 5/8	0.63	0.10	0.315	9.84	25.9
8	2.75	7.80	10.63	11.75	8- 5/8	0.75	0.10	0.315	11.81	31.42
10	2.75	9.76	12.76	14.25	12- 7/8	0.83	0.10	0.394	13.78	38.94
12	3.00	11.97	15.00	17.00	12- 7/8	0.87	0.10	0.394	15.75	45.16
14	3.00	13.23	16.26	18.75	12- 1	0.94	0.12	0.472	15.75	50.63
16	3.50	15.16	18.50	21.25	16- 1	1.06	0.12	0.472	19.69	58.19
18	3.50	17.24	20.98	22.75	16- 1- 1/8	1.06	0.12	0.472	19.69	64.29
20	4.50	19.21	22.99	25.00	20- 1- 1/8	1.18	0.12	0.591	21.65	71.30
24	4.50	23.23	27.24	29.50	20- 1- 1/4	1.18	0.12	0.591	21.65	82.76
30	4.75	29.25	33.74	36.00	28 1- 1/4	1.26	0.12	0.591	23.62	104.33





KNIFE GATE VALVES

SS METAL SEATED KNIFE GATE VALVE

HOW TO ORDER

VALVE BODY DESIGN (SERIES)	FEATURES	MATERIAL			ENDS	CLASS	SIZE		OPERATION								
		BODY	TRIM	SEAT													
KMS Knife Gate Metal Seated	NONE NONE	3	A351 CF8M	3	316SS	3	316SS	L	LUG	0	150# CWP	03	3"	H	Handwheel		
												04	4"				
												06	6"			G	Gear Operator
												08	8"				
												10	10"			E	Electric Actuator
												12	12"				
												14	14"			P	Pneumatic Actuator
												16	16"				
												18	18"			B	Bare Shaft
												20	20"				
24	24"																
30	30"																

Example
Knife Gate Valve Metal Seated, Body & Trim 316SS, Lug 150# CWP, Size 6" with Handwheel
KMS-333-L006H

- (1) WCB is available for valve body design KAS & KSG only
- (2) For valve body material KSG we supply 316SS instead CF8M
- (3) DI+316SS Liner is available for valve body design KMS & KRS only
- (4) 317L is available for valve body design KSG only
- (5) Seat Material are available for valve body design KRS only. EPDM is the standard
- (6) Seat Material are available for valve body design KAC only.

- (7) Seat Material are available for valve body design KAO only.
- (8) Seat Material are available for valve body design KHP & KTI only.
- (9) Ends available for valve body design KAO only.
- (10) Available Sizes:
KMS 6, KMR 6 & KSG from 3" to 24", KMS 3 & KMR 3: from 3" to 30"
KAO: from 3" to 12", KHP: from 2" to 24", KAC: from 3" to 30", KTI: 3"

